

REACTIVO



Controls over

REACTIVO App	Easy way to search and control all Reactivo controllers on your network. Simple search feature. Quick access to web interface.
REACTIVO Software	Enables you to customize and program LED strips. Screen Grabber Effect, Solid Color Effect, User-friendly strips settings environment.
Art-Net™	Communication lighting protocol for transmitting DMX signals over Ethernet
Stand-alone	Play effects and animations stored on the SD card
External trigger	switch, buttons, light sensor etc.

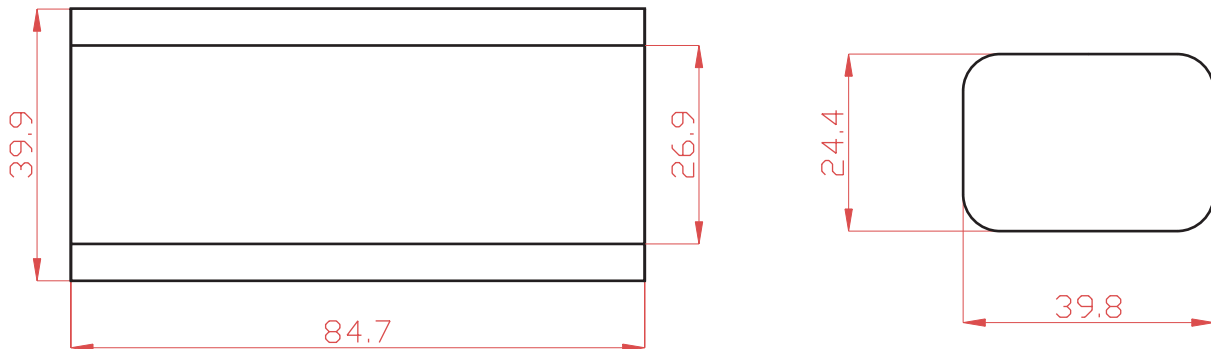
Technical specification

Maximum of LEDs	1024 RGB / 768 RGBW
SPI LED Outputs	1
Required power	1W (controller only, without the LED strips / LED pixels)
Voltage	5V-24V
Maximal current	7A
Power connector	DC jack 5.5mm/2.1mm
SPI OUT connector:	pluggable terminal block with 3.5mm contact spacing e.g. 15EDGRC-3.5-04P
Trigger inputs:	2x analog trigger input 0-3.3V with internal 12k pull-ups
Trigger input connector	4-pin pitch 1.5mm JST ZH compatible
Wired Ethernet	RJ-45 connector, 10/100 Mbps, Auto-MDIX
Wireless Ethernet	2.4Ghz Wi-Fi 802.11 b/g/n
SD Card	Micro SD Card (FAT32, up to 32GB)
Dimension	85x40x25mm

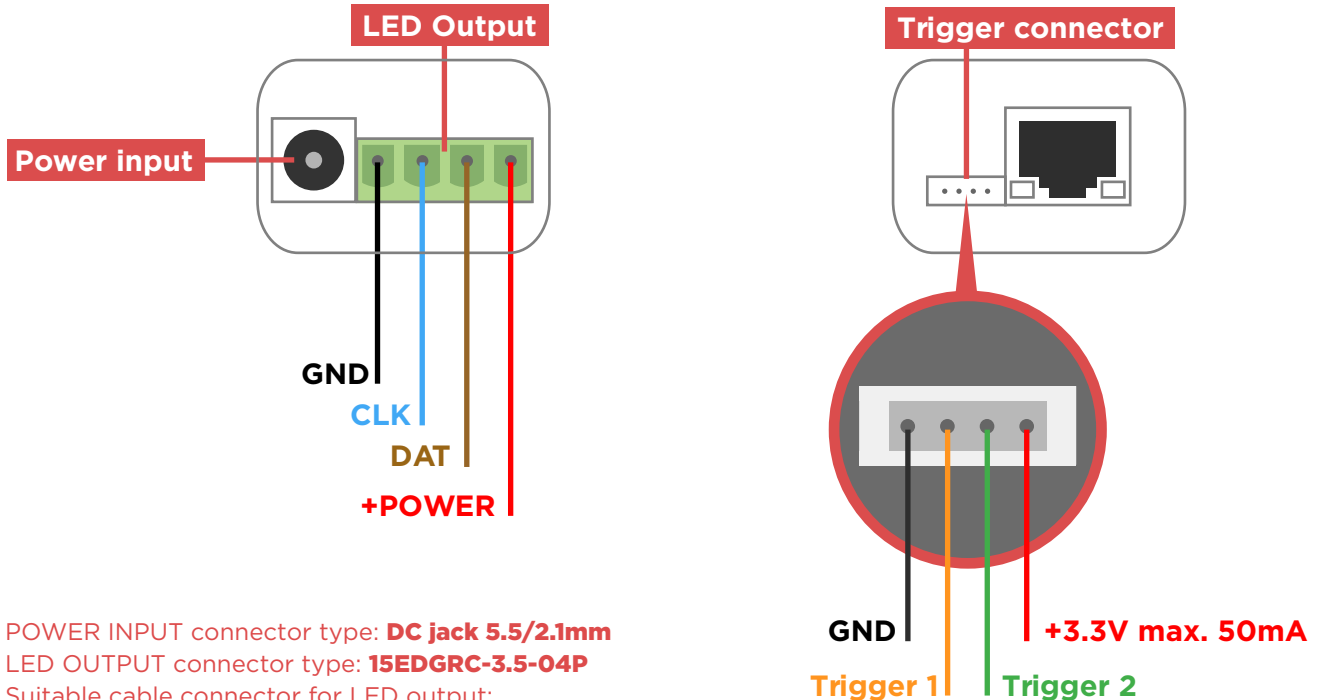
Applications

- General illumination
- Decoration illumination
- Events, lounges, clubs
- Scenography
- Theatre
- Light show
- Special effects
- Showcase

Dimensions



Pinout scheme



POWER INPUT connector type: **DC jack 5.5/2.1mm**
 LED OUTPUT connector type: **15EDGRC-3.5-04P**
 Suitable cable connector for LED output:
15EDGKN-3.5-04P or 15EDGK-3.5/4P

TRIGGER connector type: **4pin JST ZH pitch 1.5mm**
 Suitable cable connector: **JST ZHR-4 + contacts SZH-002T-P0.5 or SZH-003T-P0.5**
 Trigger voltage range: **0-3.3V, internally pulled up by 12k resistor**