

EDISON CCT LED BULB

E27 bulb with warm white and cold white LED filament

Applications

- General illumination
- Decoration illumination
- Events, lounges, clubs
- Scenography
- Theatre
- Light show
- Special effects
- Showcase



Technical specification

Controls over	Applying DC voltage, one polarity light up warm filaments, reverse polarity light up cold filaments
Operating voltage	33V DC, 2 polarity
Operating current	38mA warm white + 38mA cold white
Rated power	1.25W warm white + 1.25W cold white
Warm white filament type	LED
Warm white filament count	3
Warm white filament CRI	>82
Warm white color temperature	typ. 3000K
Warm white power	1.25W
Warm white E27 polarity	tip +, thread sleeve -
Warm white efficiency	typ. 150lm/W
Cold white filament type	LED
Cold white filament count	3
Cold white filament CRI	>82
Cold white color temperature	typ. 6500K
Cold white power	1.25W
Cold white E27 polarity	Tip -, thread sleeve +
Cold white efficiency	typ. 150lm/W
Works with controller	Xmas dimmer, Powered Xmas dimmer
Operating air temperature	-10°C to 45°C
Storage air temperature	-10°C to 60°C
Relative humidity	5% to 80% non-condensing
Weight	42g
BULB shape	ST64
BULB material	Glass

Socket	standard E27 thread
Bulb diameter max	64mm
Bulb height incl E27 socket	140mm

Default package content

- Edison CCT light bulb

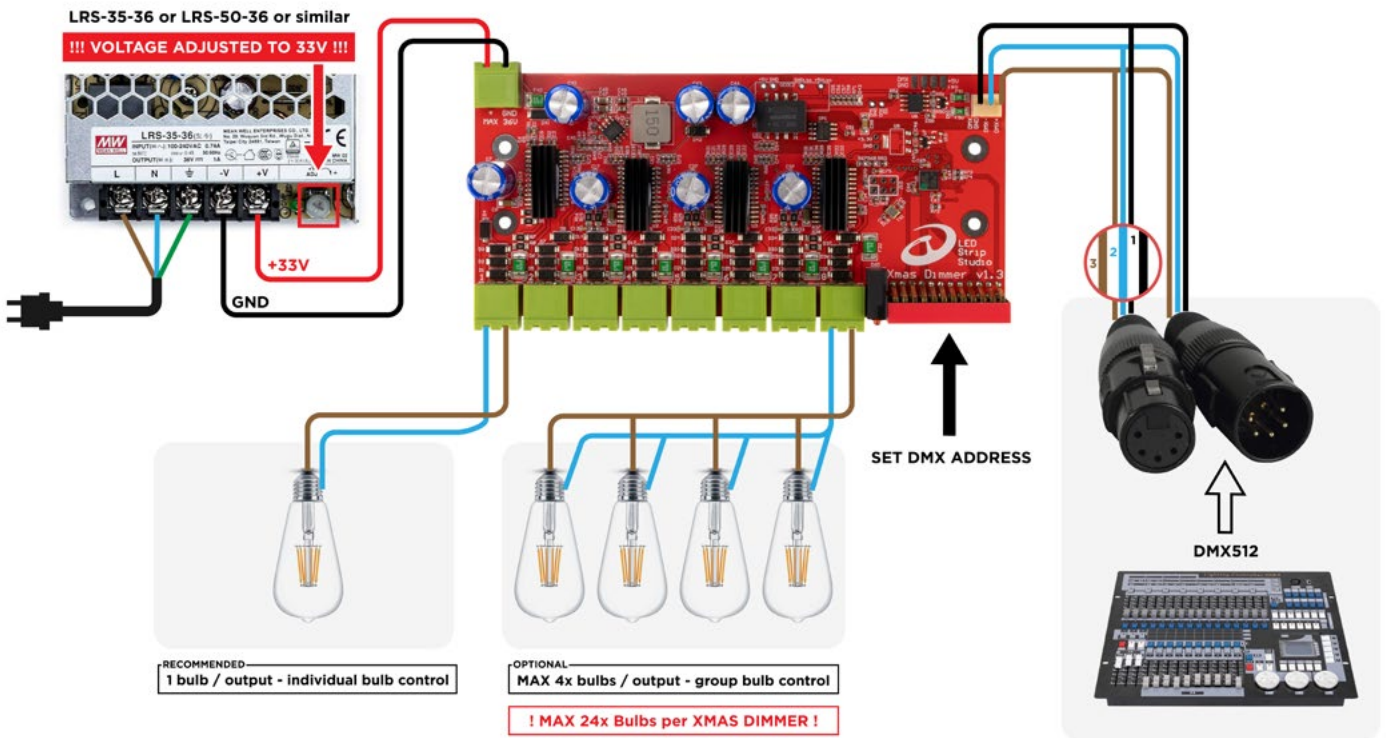
Dimensions



Color Temperature



Connection scheme example with XMAS DIMMER



Connection scheme example with POWERED XMAS DIMMER

